

# CP-0404HMG-U

4 channel mobile standalone DVR



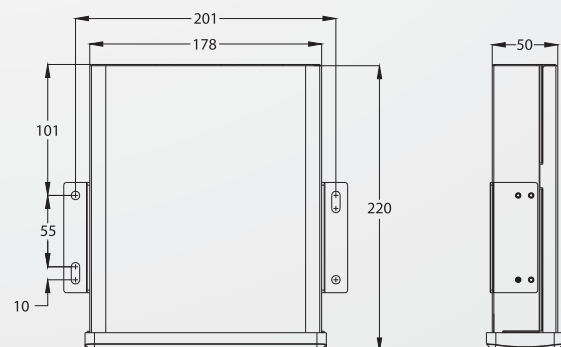
## Main Features

- 4 channel mobile standalone DVR
- H.264 video compression algorithm ideal
- 1 DIN compact size(the car CD machine standard size) and standard car electronic interface, easy for embedded installation
- Multi-information display and recording: Car Number, Time, Channel, GPS, Speed, support freely setting of overlay and recording
- Watermark technology prevent video data tampering, to ensure the authenticity of the record
- Support wide voltage car power supply input(8~60V), protection of over voltage, under-voltage, short circuit and over-current
- Air connector interface used, provide excellent waterproof, shockproof performance
- Pluggable HDD-case used, provide powerful vibration-proof capability
- Multi-Interface such as USB 2.0, Ethernet port, RS232, RS485 port, VGA, Alarm in/out etc
- Built-in web server, multi-DVR client, DMSS & CMS

## Rear Panel



## Dimension



Specifications	CP-0404HMG-U
Processor	High Performance Embedded Microprocessor
Operating System	Embedded Linux
System Resources	Pentaplex Functions: live, Recording, Playback, Backup & Remote access
User Interface	GUI, on-screen menu tips
Control Devices	Front panel, USB Mouse, Control Keyboard, IR Remote control, Network Keyboard
Video Input	4 channel, Air connector to BNC(1.0Vp-p, 75)
Video Output	2 TV, Air connector to BNC(1.0Vp-p, 75?), 1 VGA(RJ45 port extension), Max. Res.:1280x1024
Video Standard	PAL: 625 Lines, 50f/s; NTSC: 525 Lines, 60f/s
Compression	Video: H.264, Audio: PCM
Video Resolution	D1 (4CIF) NTSC:704x480, PAL:704x576, CIF NTSC:352x240 PAL:352x288, QCIF NTSC:176x120 PAL:176x144
Video Recording	CIF/QCIF Pal:1FPS~25FPS, NTSC:1FPS~30FPS, 4CIF PAL:1FPS~6FPS, NTSC:1FPS~7FPS, 1st Ch. Full D1
Extra Stream	QCIF PAL:1FPS~25FPS, NTSC:1FPS~30FPS,
Video Display Split	Full and Multiple Screen Display, 1/4
Privacy Masking	4 Self defined four sided zones for each camera
Camera Adjustment	Adjust color according to different time period
Video Information	Camera title, time, video loss, camera lock, motion detection, recording
Audio Input	4 channel, Air connector to BNC(200-2800mV, 30KO)
Bi-directional Talk Input	1 channel Input, BNC(200-2800mV, 30K ), 1 channel Output, BNC(200-3000mV, 5K )
Audio Output	2 channel, Air connector to BNC(200-3000mV, 5KO)
Motion Detection	Zones:396 (22*18) detection zones, Sensitivity:1~6 levels (level 6 is highest), Trigger Recording, PTZ movement, tour, alarm, email, matrix output
Video Loss	Trigger Recording, PTZ movement, tour, alarm, email, matrix output
Camera Blank	Trigger Recording, PTZ movement, tour, alarm, email, matrix output
Alarm Input	7 Ch. Programmable, ground, manual open/closed, Trigger Recording, PTZ movement, tour, alarm, email, matrix output
Alarm Output	2 Ch., 30V DC, 1A, NO/NC, form-C
Hard Disk	1 SATA 2.5-inch HDD, Pluggable HDD-case
SD Card	2 SD Card Supported
HDD Management	HDD Hibernation technology, HDD faulty alarm and RAID (Redundancy)
Recording Mode	Manual, Continuous, Video Detection (including motion detection, camera blank, video loss), Alarm
Recording Priority	Manual>Alarm>Video detection>Continuous
Search Mode	Time/date, Alarm, Motion detection & exact search (accurate to second)
Playback	All Ch. Simultaneous playback, pause, stop, rewind, fast play, slow play, next file, previous file, next camera, previous camera, full screen, repeat, shuffle, backup selection
Digital Zoom	Selected zone can zoom into full screen during live & playback
Backup Mode	Flash disk, USB HDD, USB CD/DVDRW, network download
Interface Ports	RJ45 x 1, USB 2.0 x 2, RS232 x 1, RS485 x 1
Wi-Fi	Optional
3G	Optional
Protocols	TCP/IP, UDP, DHCP, DNS, IP Filter, PPPoE, DDNS, FTP, Email, Alarm Server
Remote Operations	Monitor, PTZ control, playback, system setting, file download, log information
Power Supply	220V 50 Hz / 110V 60Hz
Power Consumption	22W
Working Temp	-10°C~55°C