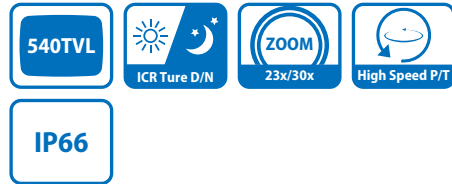


# DH-SD6623/6630-H

23x/30x Cost-effective High Resolution PTZ Dome Camera



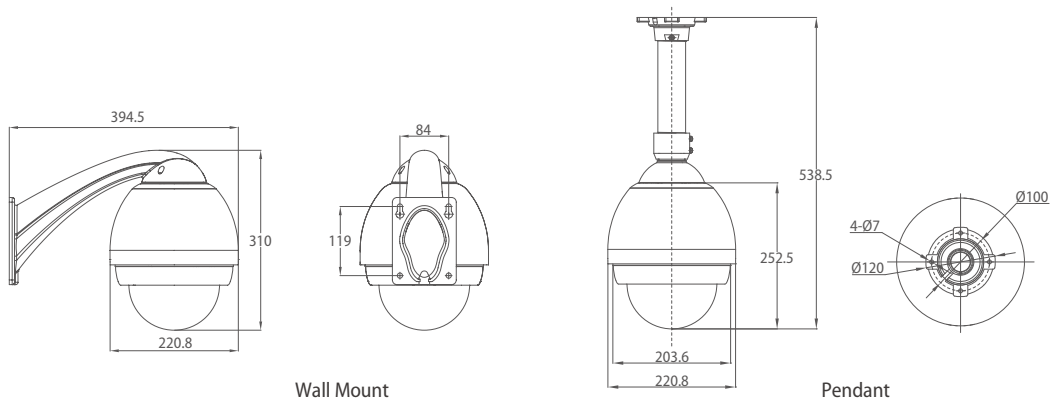
DH-SD6623-H: 23x optical zoom, 540TV lines

DH-SD6630-H: 30x optical zoom, 540TV lines

## Features

- DAHUA color camera module
- 1/4" SONY Super HAD II CCD
- Powerful 23x optical zoom(3.9mm~89.7mm): DH-SD6623-H  
Powerful 30x optical zoom(3.5mm~105mm): DH-SD6630-H
- High resolution of 540TV Lines
- Day/Night(ICR), Auto iris, Auto focus, AWB, Backlight compensation
- Up to 24 zones of privacy masking(8 zones per area)
- Max 400°/s pan & tilt speed, 360° endless pan rotation
- Up to 255 Presets, 5 Auto Scan, 8 Tour, 5 Pattern
- Idle Motion: Activation of Preset/Scan/Tour/Pattern after idle time
- Time Task: Auto activation of Preset/Scan/Tour/Pattern by pre-set time
- Power up action: Auto restore to previous PTZ & Lens status after power up
- Multi-language OSD menu
- 7/2 channel alarm input/output
- 3D positioning control at DH-SD protocol
- IP 66 protection level, constant temperature & anti-fog
- AMP slot for easy installation

## Dimensions (mm)



## Specifications

Model	DH-SD6623-H		DH-SD6630-H	
Camera	Image Sensor	1/4" SONY Super HAD II CCD		
	Effective Pixels (H x V)	PAL: 440,000 (752 x 582)		
		NTSC: 380,000 (768 x 494)		
	Horizontal Resolution	540TV Lines		
	Focal Length	3.9mm(Wide)~89.7mm(Tele), F1.6~F3.7		3.5mm(Wide)~105mm(Tele), F1.6~F3.7
	FOV	50.7°(Wide)~2.5°(Tele)		57°(Wide)~1.6°(Tele)
	Closest Focal Distance	100mm(Wide)~1000mm(Tele)		100mm(Wide)~1000mm(Tele)
	Optical Zoom	23x		30x
	Digital Zoom	N/A		10x
	Min. Illumination	0.1Lux/F1.6(Color), 0.01Lux/F1.6(B/W)		0.1Lux/F1.6(Color), 0.01Lux/F1.6(B/W)
	Electronic Shutter	PAL:1/50~1/10,000s, NTSC:1/60~1/10,000s, Auto/manual		
	Signal Noise Ratio	>50dB		
	Backlight Compensation	On/Off		
	White Balance	Auto/ATW/ Manual		
	Day/Night	ICR		
Privacy Masking	On/Off(MAX. 24 zones)			
Video Output	BNC(1.0Vp-p, 75Ω), PAL / NTSC			
Dome Drive	Pan/Tilt Range	Horizontal: 0°~360°endless, Vertical: -2°~90°auto flip		
	Manual Control Speed	Horizontal: 0.1°~300°/s, Vertical: 0.1°~150°/s		
	Preset Speed	Horizontal: 400°/s, Vertical: 180°/s		
	Preset Positions	255		
	PTZ Mode	5 Auto Scan, 8 Tour, 5 Pattern		
	Alarm	7/2 alarm input/output, Triggering Preset/Tour/Pattern/Scan		
	Auto Speed Control	Automatic focal length/speed adaptation		
	3D Positioning	Yes		
	Protocol	DH-SD, Pelco-P/D		
	Fan & Heater	Automatic fan and heater control		
General	Protection	IP66		
	Protection Circuit	3000V lightning protection, surge protection		
	Working Temperature	-40~60°C		
	Working Humidity	10%~90%		
	Power Supply	AC 24V/3A(±10%)		
	Power Consumption	12W(normal), 50W(heater working)		
Weight	5.0kg			