

DH-CA-DW480CP/N

700TVL Waterproof IR Dome Camera



Model

DH-CA-DW480CP: 700TVL, IR LED, IP66, PAL

DH-CA-DW480CN: 700TVL, IR LED, IP66, NTSC

Optional Model:

DH-CA-DW480CP-IR0 / DH-CA-DW480CN-IR0

DH-CA-DW480CP-IR1 / DH-CA-DW480CN-IR1

DH-CA-DW480CP-IR2 / DH-CA-DW480CN-IR2

DH-CA-DW480CP-IR3 / DH-CA-DW480CN-IR3

Features

- > 1/3" SONY EXview HAD CCD II & Effio-E DSP
- > High resolution of 700TVL(Color)
- > Mini. Illumination of 0.02Lux@F1.2, 0Lux(IR On)
- > AGC, ATW, BLC
- > Built-in IR LEDs (5m~50m)
- > Optional Lens (2.8mm, 3.6mm, 6mm, 8mm, 12mm, 16mm)
- > IP66, DC12V

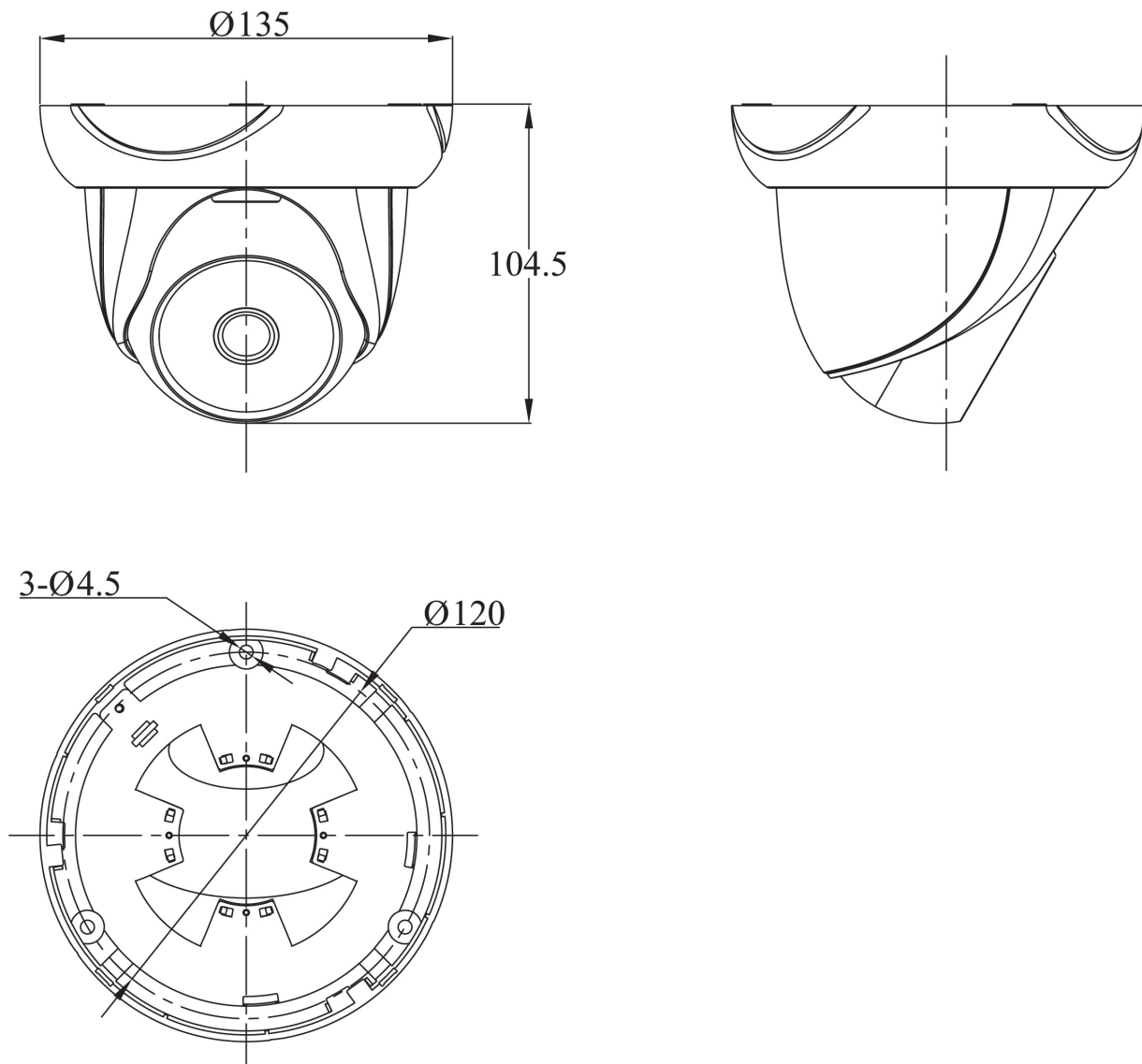
DH-CA-DW480CP/N

Specifications

Model	DH-CA-DW480CP	DH-CA-DW480CN
Camera		
Image Sensor	1/3" EXview HAD CCD II	
Video Format	PAL	NTSC
Effective Pixels	976(H) x 582(V), 570K pixels	976(H) x 494(V), 480K pixels
Horizontal Resolution	Color: 700TVL	
Mini. Illumination	0.02Lux@F1.2	
Electronic Shutter	Auto: 1/50s~1/100,000s	Auto: 1/60s~1/100,000s
AGC	Auto	
White Balance	ATW	
Backlight	BLC	
Synchronization	Internal	
S/N Ratio	>60dB	
Video Output	1Vp-p Composite Output (75Ω/BNC)	
Lens		
Focal Length	-IR0: default: 3.6mm, (2.8mm, 6mm optional)	
	-IR1: default: 6mm, (3.6mm, 8mm optional)	
	-IR2: default: 12mm, (6mm, 8mm optional)	
	-IR3: default: 16mm, (8mm, 12mm optional)	
Lens Type	Manual	
General		
Ingress Protection	IP 66	
IR LED Length	-IR0: 5m~10m	
	-IR1: 10m~20m	
	-IR2: 20m~30m	
	-IR3: 30m~50m	
Power Supply	DC12V±10%	
Power Consumption	Max 7W	
Working Temperature	-30°C~+60°C	
Dimension	Φ135mm x 104.5mm	
Weight	600g	

DH-CA-DW480CP/N

Dimensions (mm)



Dahua Technology Co., Ltd.

1187 BinAn Road, Binjiang District, Hangzhou, China

Tel: +86-571-87688883

Fax: +86-571-87688815

Email: overseas@dahuatech.com

www.dahuatech.com

*Design and specifications are subject to change without notice.

© 2011 Dahua Technology Co., Ltd.