

## DH-CA-DBW660P-P

### High Resolution Vandal-Resistant IR LED Dome Camera



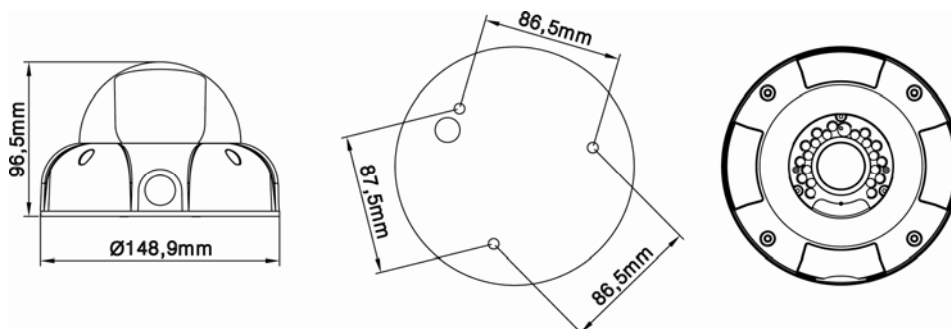
#### Model

**DH-CA-DBW660P-P:** 600TVL, Vandal-resistant, IR LEDs, PAL

#### Features

- > 1/3" SONY Super HAD II CCD
- > High resolution of 600TVL
- > Mini. Illumination of 0.1Lux/F1.2,
- > Auto Electrical Gain control
- > Auto White Balance
- > Auto Electronic Shutter
- > Electrical Day/Night
- > Backlight Compensation
- > High Signal to Noise Ratio (SNR)
- > Built-in high performance IR LEDs
- > Vandal-Resistant case
- >

#### Dimensions (mm)



# DH-CA-DBW660P-P

## Specifications

<b>Model</b>	<b>DH-CA-DBW660P-P</b>
<b>Camera</b>	
Image Sensor	1/3" SONY Super HAD II CCD
Video Format	PAL
Effective Pixels	752(H) x 582(V) , 440K pixels
Horizontal Resolution	600TVL
Mini. Illumination	Color: 0.1Lux/F1.2, 0Lux/F1.2(IR LED on)
Electronic Shutter	1/50s~1/100,000s
S/N Ratio	>52dB
Day/Night	Electrical
White Balance	Auto
Exposure Control	Auto
BLC	Auto
Synchronization	Internal
Video Output	1Vp-p Composite Output (75Ω/BNC)
<b>Lens</b>	
Focal Length	3.6mm, 6mm, 8mm optional
IR LEDs Distance	5~10 m, 10~20m optional
<b>General</b>	
Vandal-Resistant	Yes
Power Supply	DC12V±10%
Power Consumption	4W
Working Temperature	-10°C~+60°C
Dimension	Φ149mm x 96mm
Weight	1000g

## Accessories (Optional)

**Power:** DC12V/0.8A

---

### Dahua Technology Co., Ltd.

1187 BinAn Road, Binjiang District, Hangzhou, China

Tel: +86-571-87688883

Fax: +86-571-87688815

Email: [overseas@dahuatech.com](mailto:overseas@dahuatech.com)

[www.dahuatech.com](http://www.dahuatech.com)

\*Design and specifications are subject to change without notice.

© 2010 Dahua Technology Co., Ltd.