

## DH-IPC-HDB3300P/N

### 1/2.8" 3.0M CMOS Full-HD Network Camera



**DH-IPC-HDB3300P:** 3.0 Megapixel CMOS, PAL video format, 15fps at 3.0M and 25fps at 1080P, PoE

**DH-IPC-HDB3300N:** 3.0 Megapixel CMOS, NTSC video format, 15fps at 3.0M and 30fps at 1080P, PoE

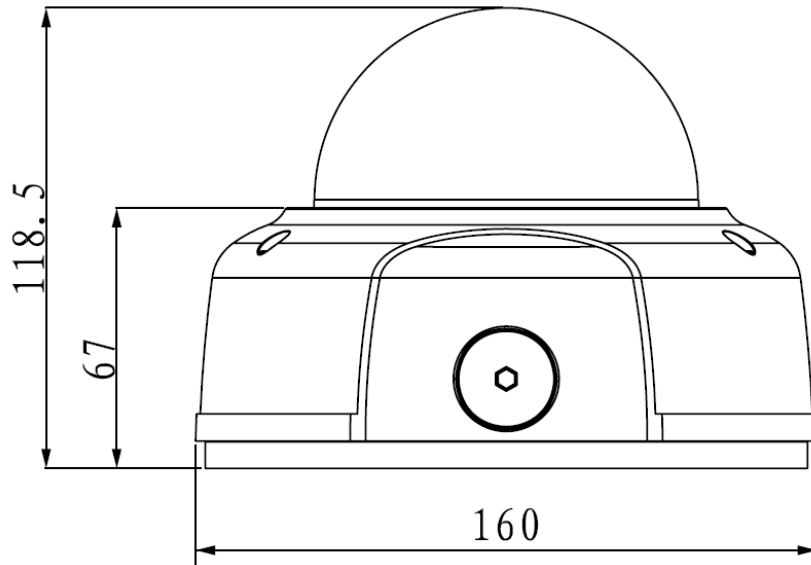
### Features

- > 1/2.8" 3.0 Megapixel SONY progressive scan Exmor CMOS image sensor
- > High-performance TI DaVinci series DSP
- > H.264 video compression and JPEG image capture
- > 15fps at 3.0M(2048×1536) and 25/30fps at 1080P resolution
- > Dual encoding streams supported
- > Support ICR true Day/Night
- > Support C/CS Auto Iris lens 4.5~10mm/F1.6
- > Support Alarm I/O, RS485 nterface
- > Max 32GB Hot-swappable Mirco SD card for local storage
- > Support DC12V/AC24V dual power supply, POE
- > Built-in web server, NVR, MSS & CMS

### Dimensions (mm)

**DH-IPC-HDB3300P/N**

---



# DH-IPC-HDB3300P/N

## Specifications

Model	DH-IPC-HDBW3300P	DH-IPC-HDBW3300N
<b>General</b>		
Processor	TI DaVinci Series DSP	
Operating System	Embedded LINUX	
Resource	Simultaneous remote monitoring, local recording and remote control	
User Interface	WEB, CMS(DSS, PSS)	
<b>Camera</b>		
Image Sensor	1/2.8" 3.0 Megapixel SONY progressive scan Exmor CMOS	
Effective Pixels	2096(H)×1561(V)	
Electronic Shutter	Auto/Manual, 1/50~1/10000s	Auto/Manual, 1/60~1/10000s
Mini. Illumination	0.2LUX/F1.6(Color), 0.01LUX/F1.6(B/W);	
Signal Noise Ratio	>50dB	
Gain Control	Auto/Manual	
White Balance	Auto/Manual	
Day/Night	ICR	
Lens	CS mount 4.5~10mm /F1.6	
Auto Iris	Support	
<b>Video</b>		
Video Compression	H.264/JPEG	
Image Resolution	3.0M(2048×1536) / 1080P(1920×1080) / 720P(1280×720) / D1(704×576) / CIF(352×288) / VGA(640×480)	3.0M(2048×1536) / 1080P(1920×1080) / 720P(1280×720) / D1(704×480) / CIF(352×240) / VGA(640×480)
Encoding Speed	Main Stream: 3.0M(1~15fps), 1080P/720P/ D1/CIF/ VGA(1~25fps)	Main Stream: 3.0M(1~15fps), 1080P/720P/ D1/CIF/ VGA(1~30fps)
	Extra Stream: D1/CIF (1~25fps)	Extra Stream: D1/CIF (1~30fps)
Bit Rate	160K~8Mbps	
Snapshot	Fastest 1fps JPEG capture	
Video Format	PAL	NTSC
Analogue Video Output	1 channel BNC(1.0Vp-p, 75Ω)	
<b>Audio</b>		
Audio Compression	G.711a / G.711u / PCM	
Bit Rate	128kbps/64kbps/10.2kbps	
Input	1 channel 3.5mm Jack Mic in	
Output	1 channel 3.5mm Jack Speak out	
<b>Network</b>		
Ethernet	RJ-45 (10/100Base-T)	
Network Functions	HTTP, TCP/IP, ICMP, RTSP, RTP, UDP, SMTP, NTP, DHCP, DNS, IP Filter, PPPOE, DDNS, FTP, , Alarm Server	
Remote Operation	Monitor, PTZ control, Playback, System setting, File download, Log information, Maintenance & Upgrade	

## DH-IPC-HDB3300P/N

Auxiliary Interface	
SD Card	Max 32GB, local storage
RS485	PTZ control
Alarm	2 Input / 1 Output
Environmental	
Power Supply	DC12V/AC24V, PoE
Power Consumption	<8W
Operating Environment	-10°C~+60°C, 10%~90%
Dimension	φ160x118.5
Weight	1.25kg

---

### Dahua Technology Co., Ltd.

1187 BinAn Road, Binjiang District, Hangzhou, China

Tel: +86-571-87688883

Fax: +86-571-87688815

Email: [overseas@dahuatech.com](mailto:overseas@dahuatech.com)

[www.dahuatech.com](http://www.dahuatech.com)

\*Design and specifications are subject to change without notice.

© 2010 Dahua Technology Co., Ltd.